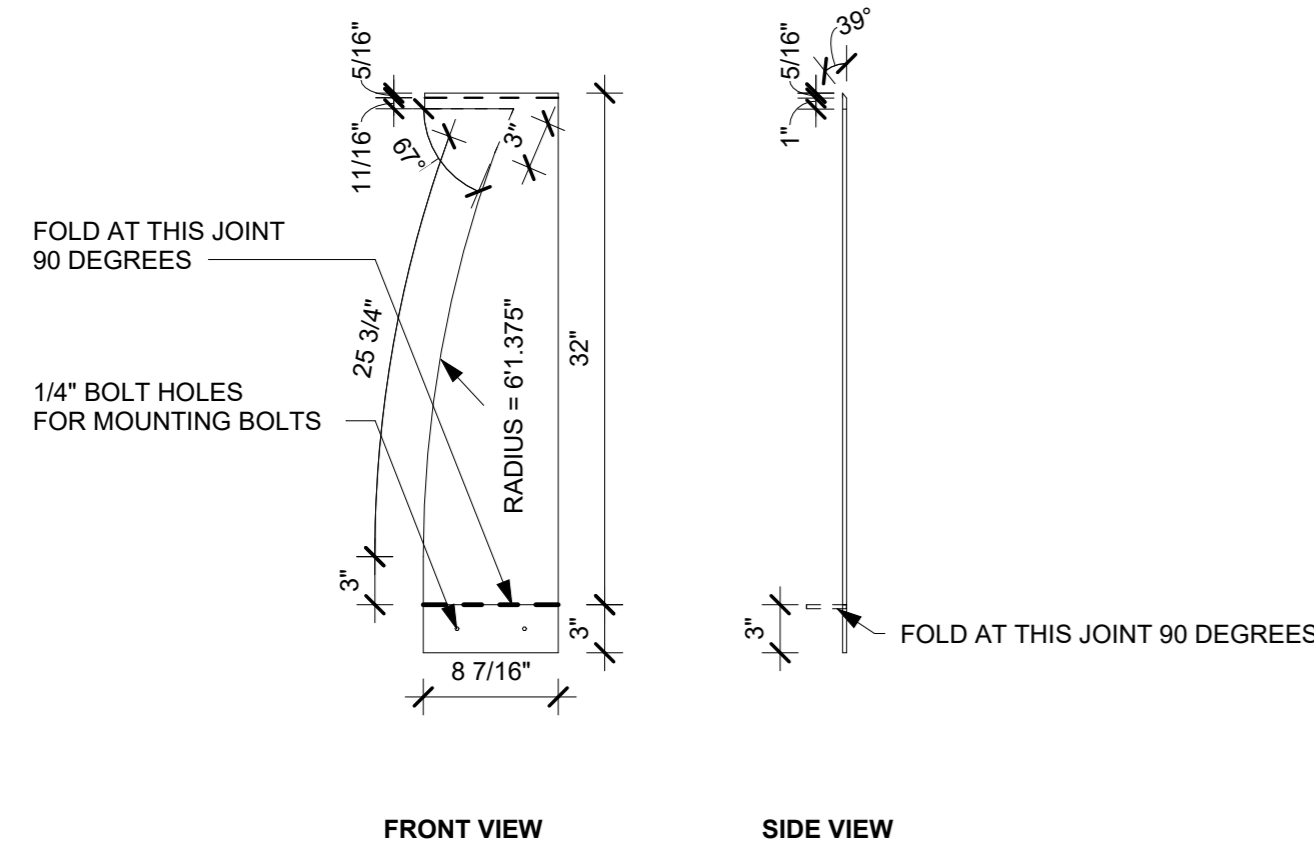


TOP STEEL PANEL

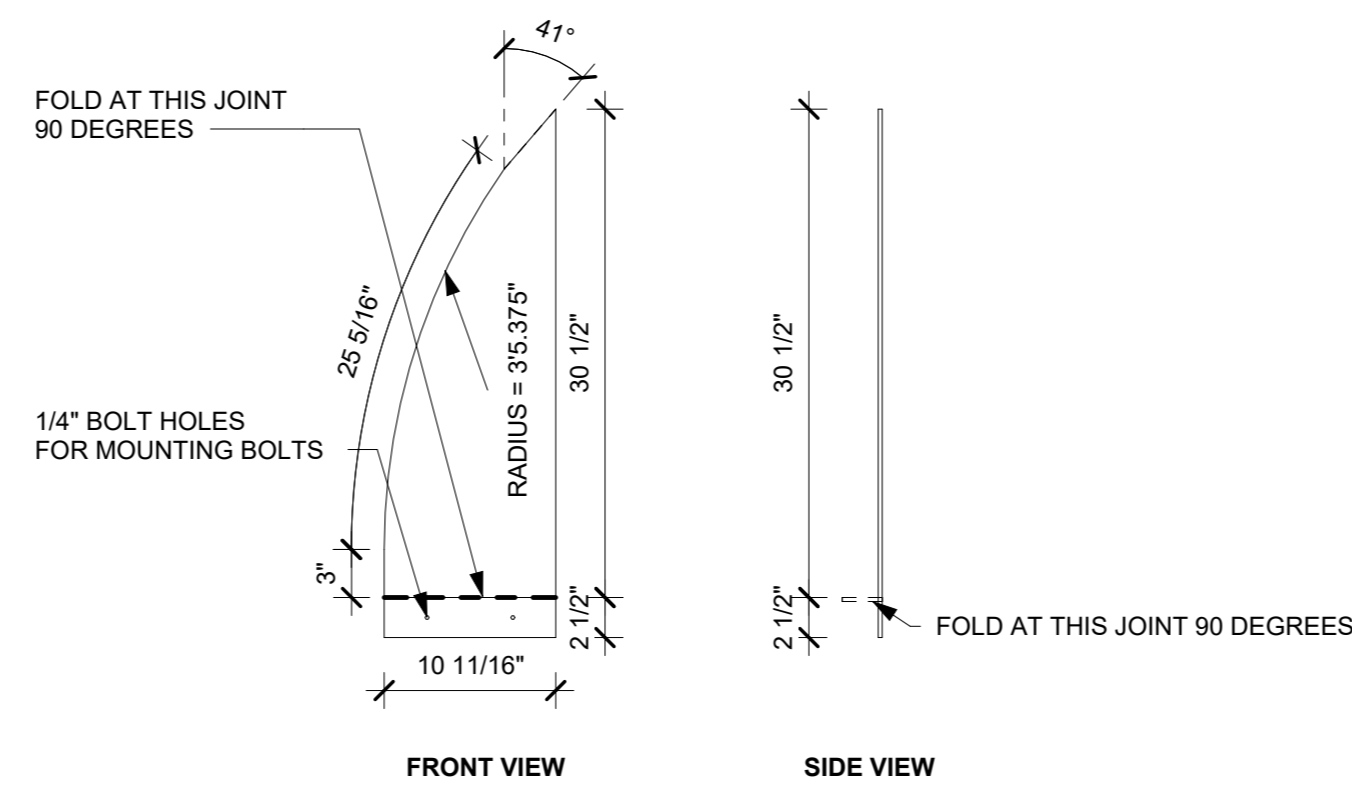
1 TOP STEEL PANEL  
1" = 1'-0"



FRONT VIEW

SIDE VIEW

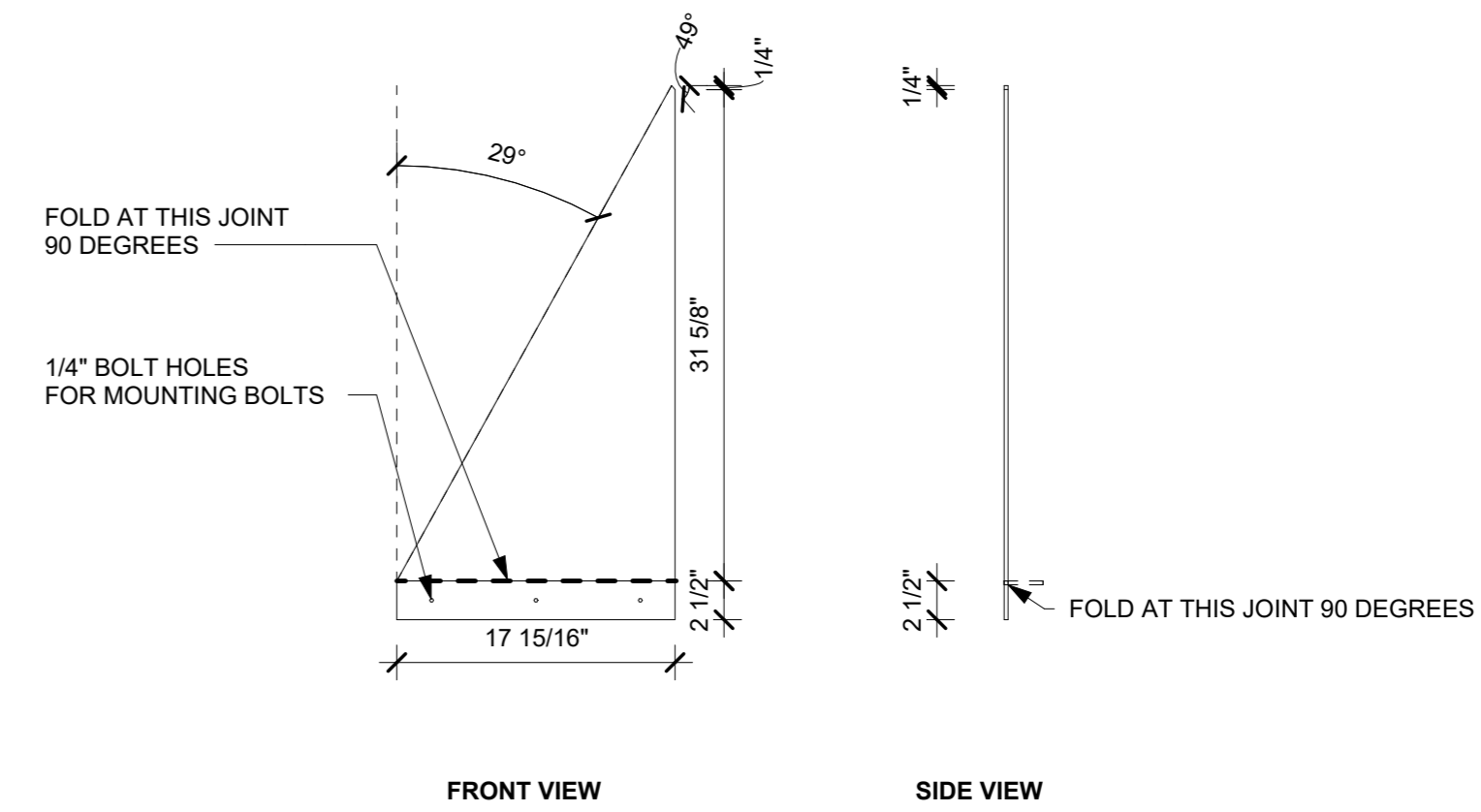
2 STEEL PANEL 1  
1" = 1'-0"



FRONT VIEW

SIDE VIEW

3 STEEL PANEL 2  
1" = 1'-0"



FRONT VIEW

SIDE VIEW

4 STEEL PANEL 3  
1" = 1'-0"

REVISIONS

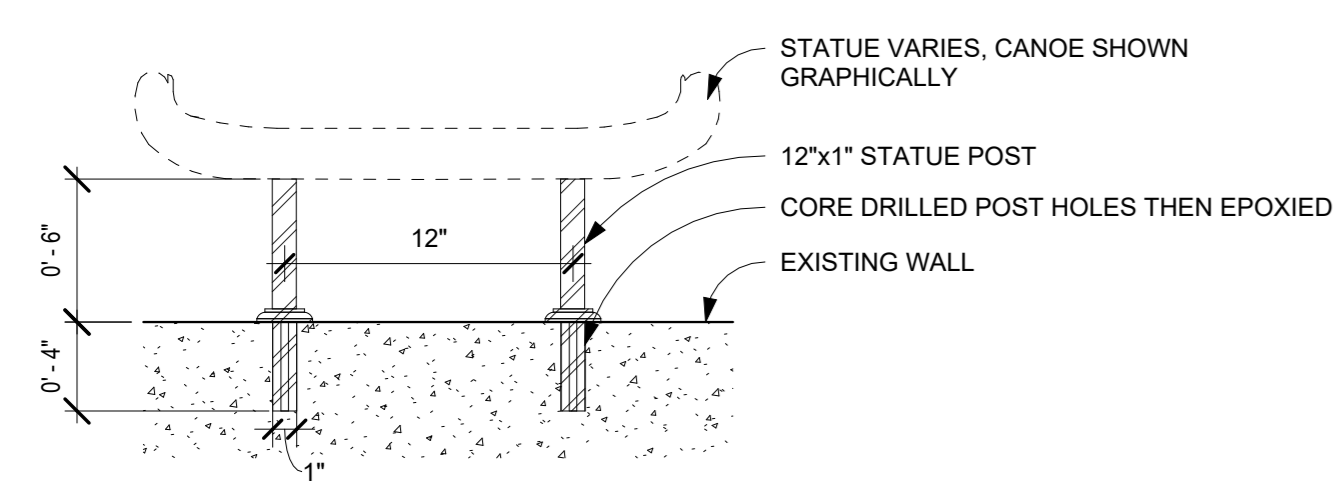

CONSTRUCTION DOCUMENT

DATE: 02/07/2025  
DRAWN: JAW  
CHECKED: SLG  
APPROVED: SLG

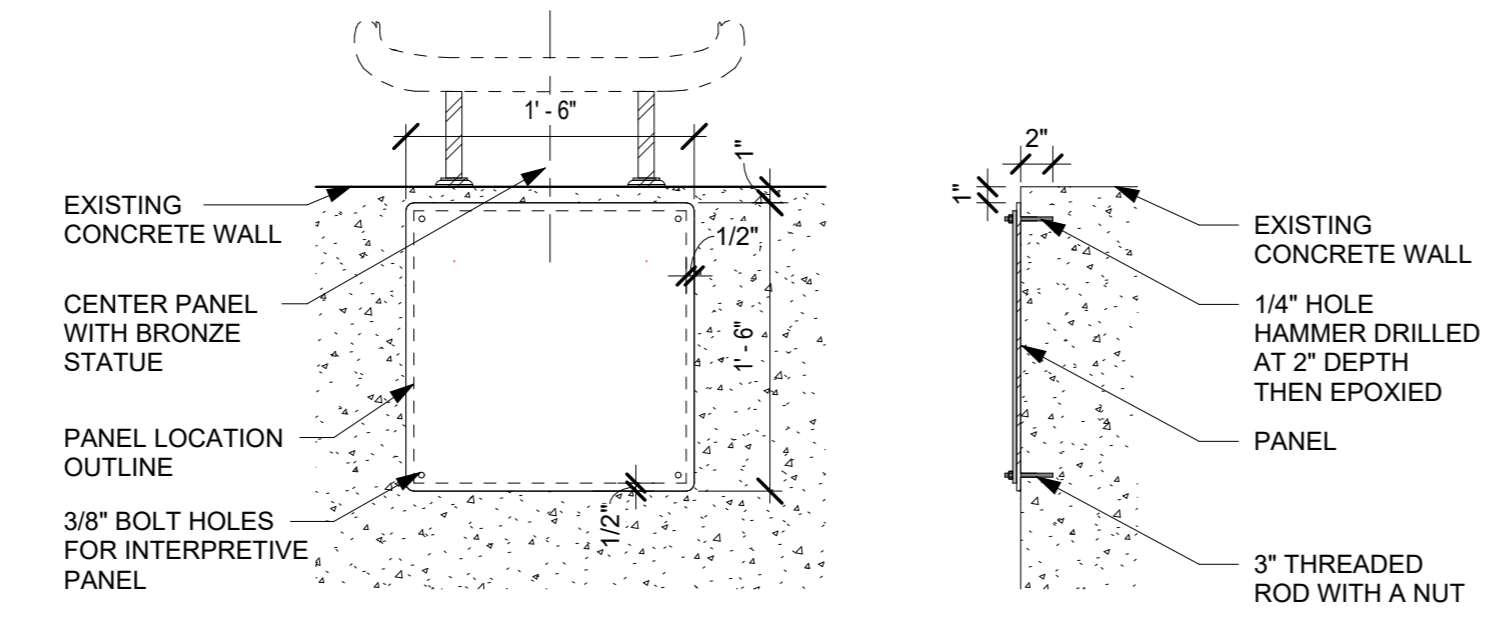
REVISIONS


CONSTRUCTION DOCUMENT

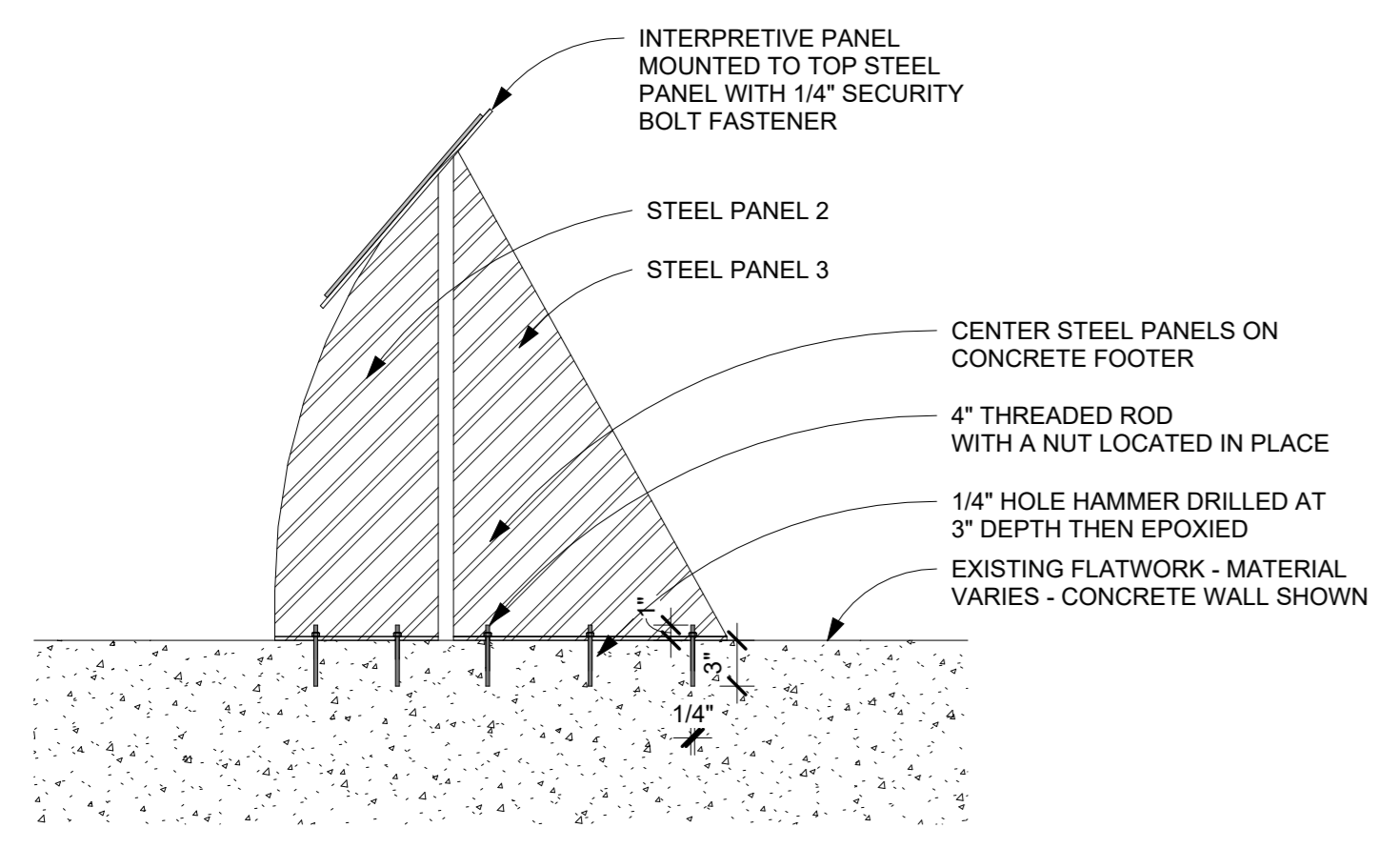
DATE: 02/07/2025  
DRAWN: JAW  
CHECKED: SLG  
APPROVED: SLG



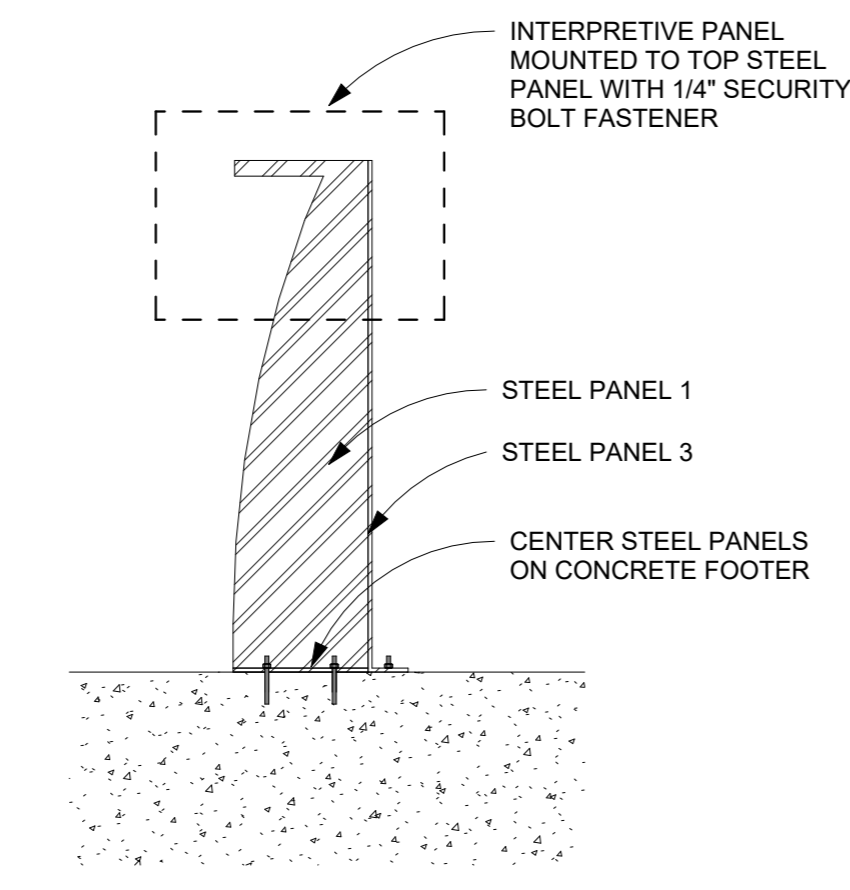
1 STATUE ATTACHMENT  
1 1/2" = 1'-0"



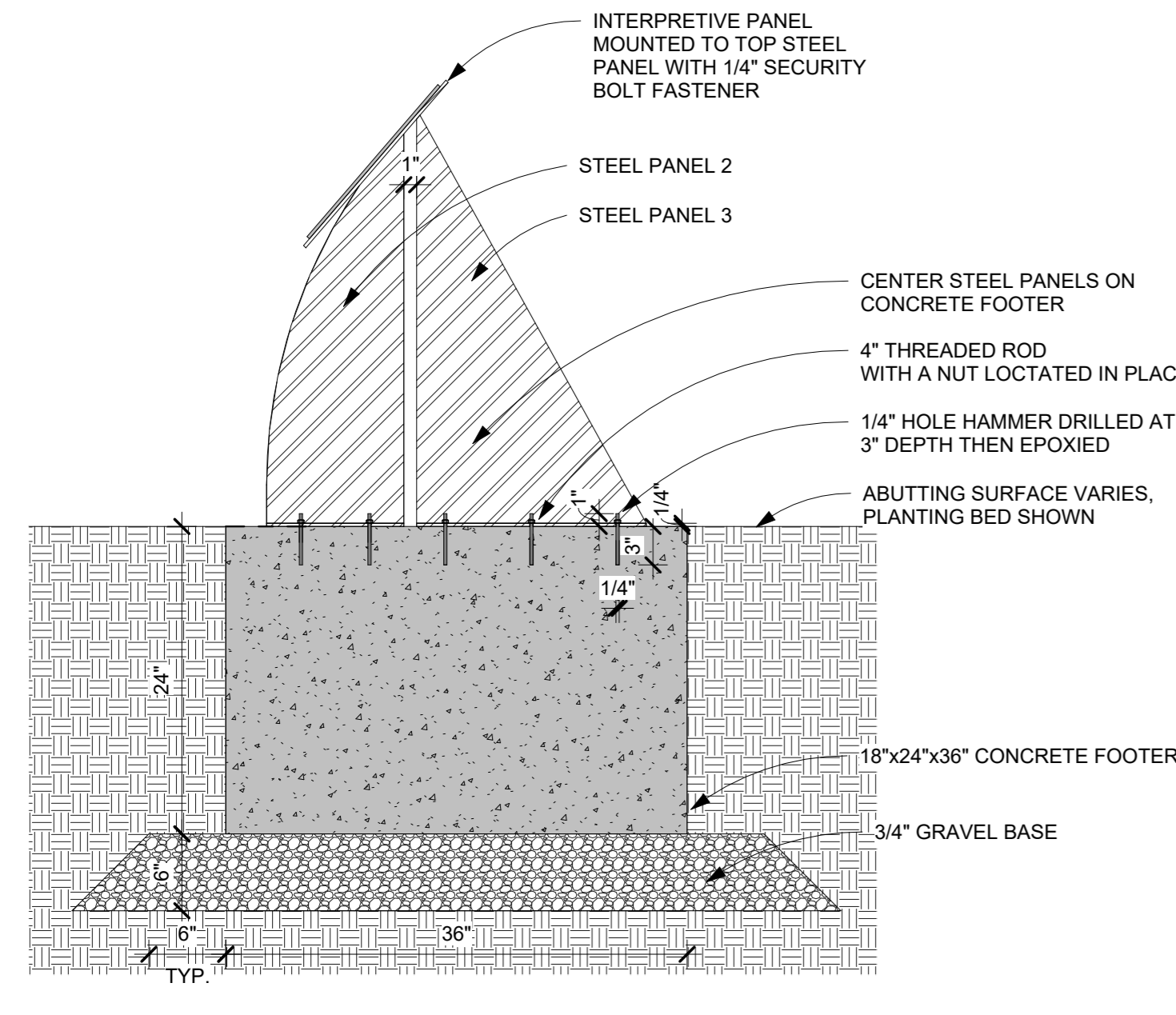
2 STEEL PANEL ATTACHMENT AT STATUE  
1" = 1'-0"



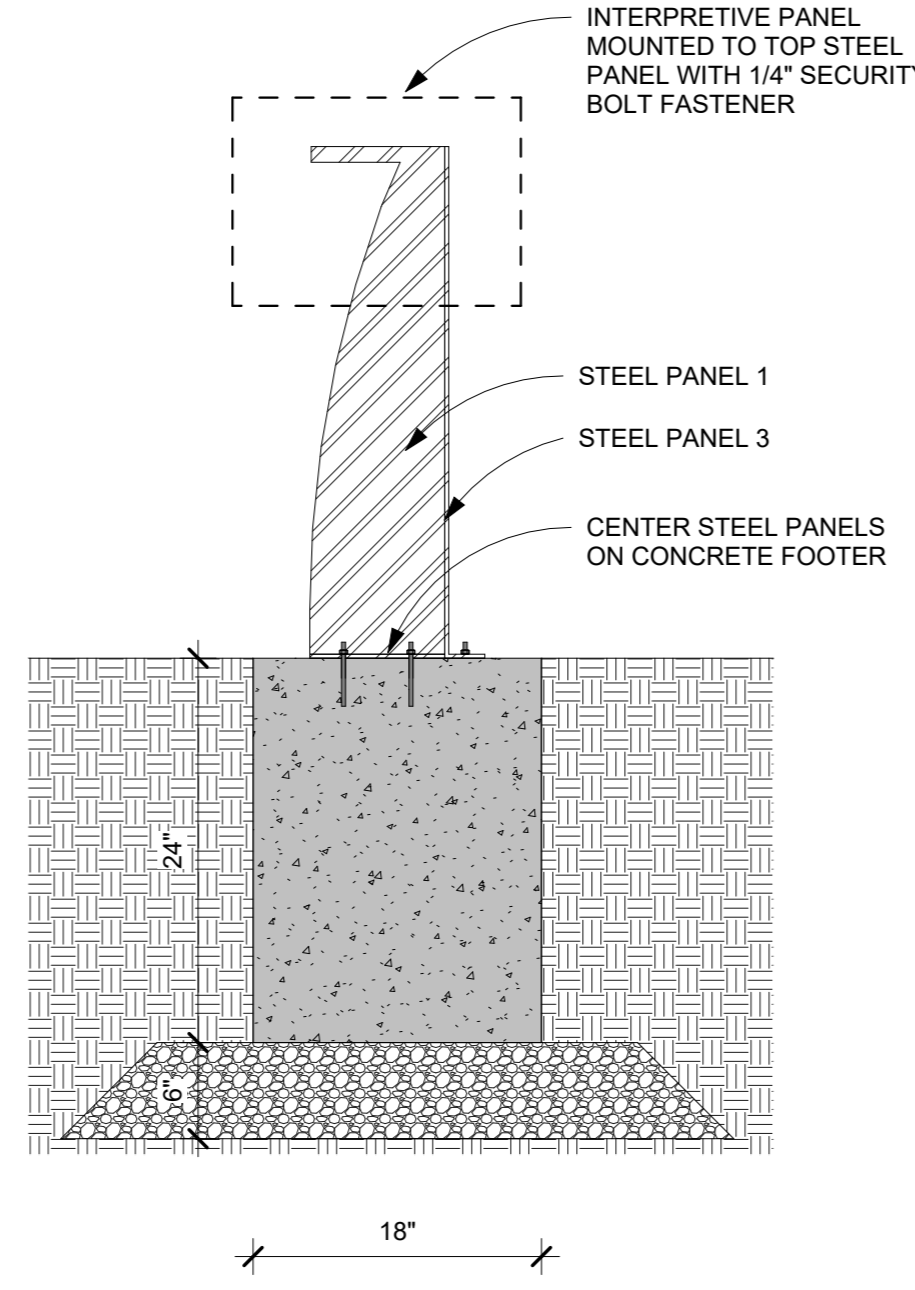
3 SIGN FOOTER DETAIL - MOUNTED TO EXISTING THICK FLATWORK (GREATER THAN 5")  
1" = 1'-0"



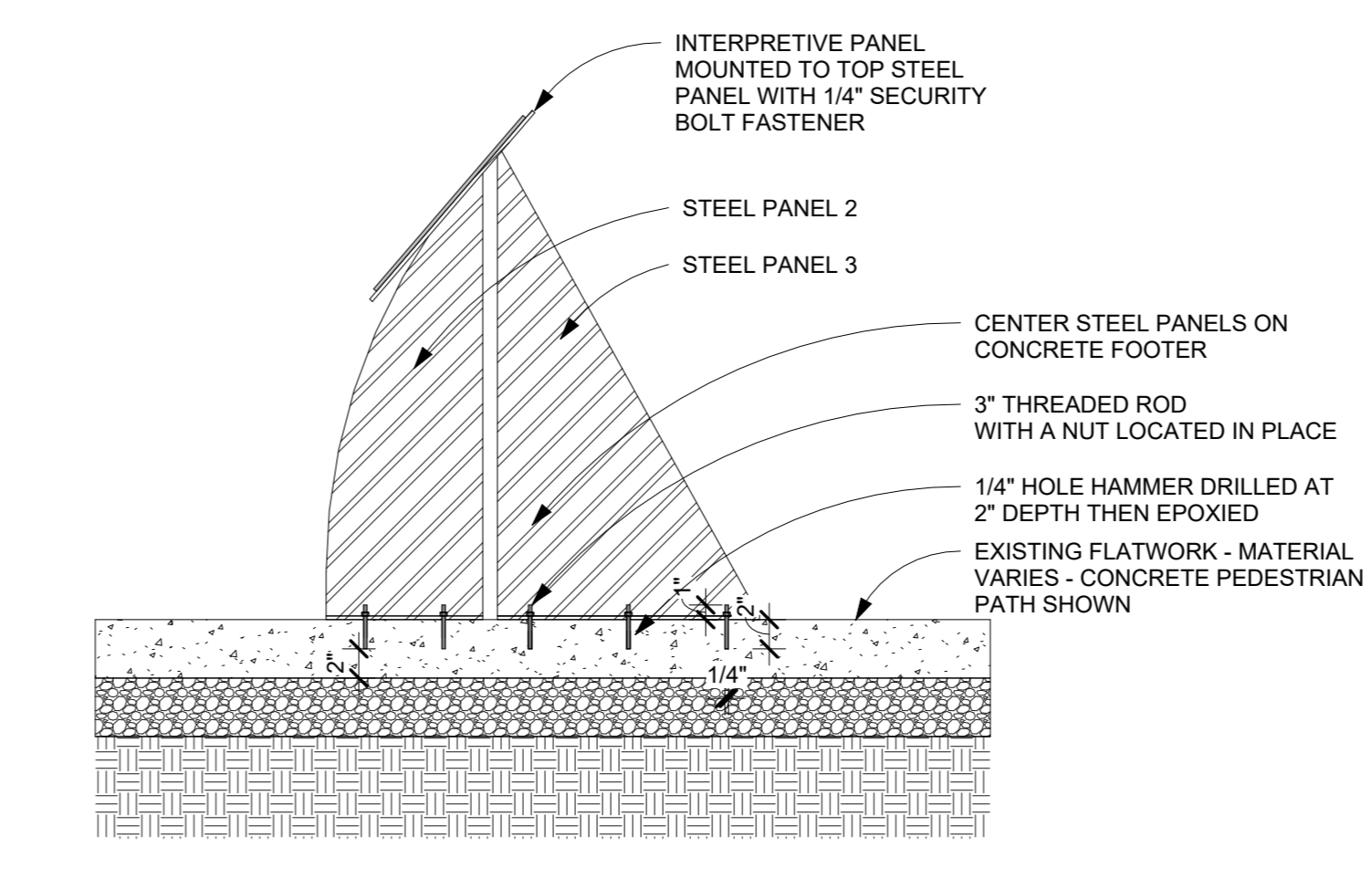
4 SIGN FOOTER DETAIL - MOUNTED TO EXISTING SHALLOW FLATWORK (LESS THAN 5")  
1" = 1'-0"



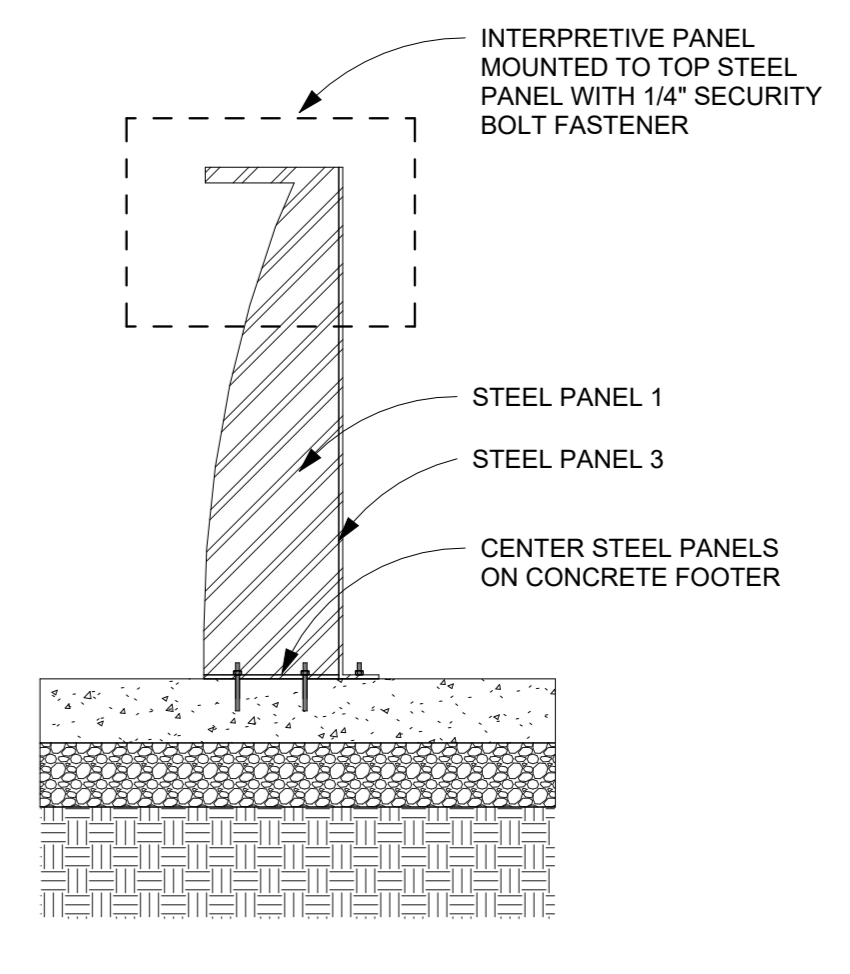
5 SIGN FOOTER DETAIL - MOUNTED TO CAST-IN-PLACE CONCRETE  
1" = 1'-0"



6 SIGN FOOTER DETAIL - MOUNTED TO SHALLOW BEDROCK (6"-12" BELOW FINISH GRADE)  
1" = 1'-0"

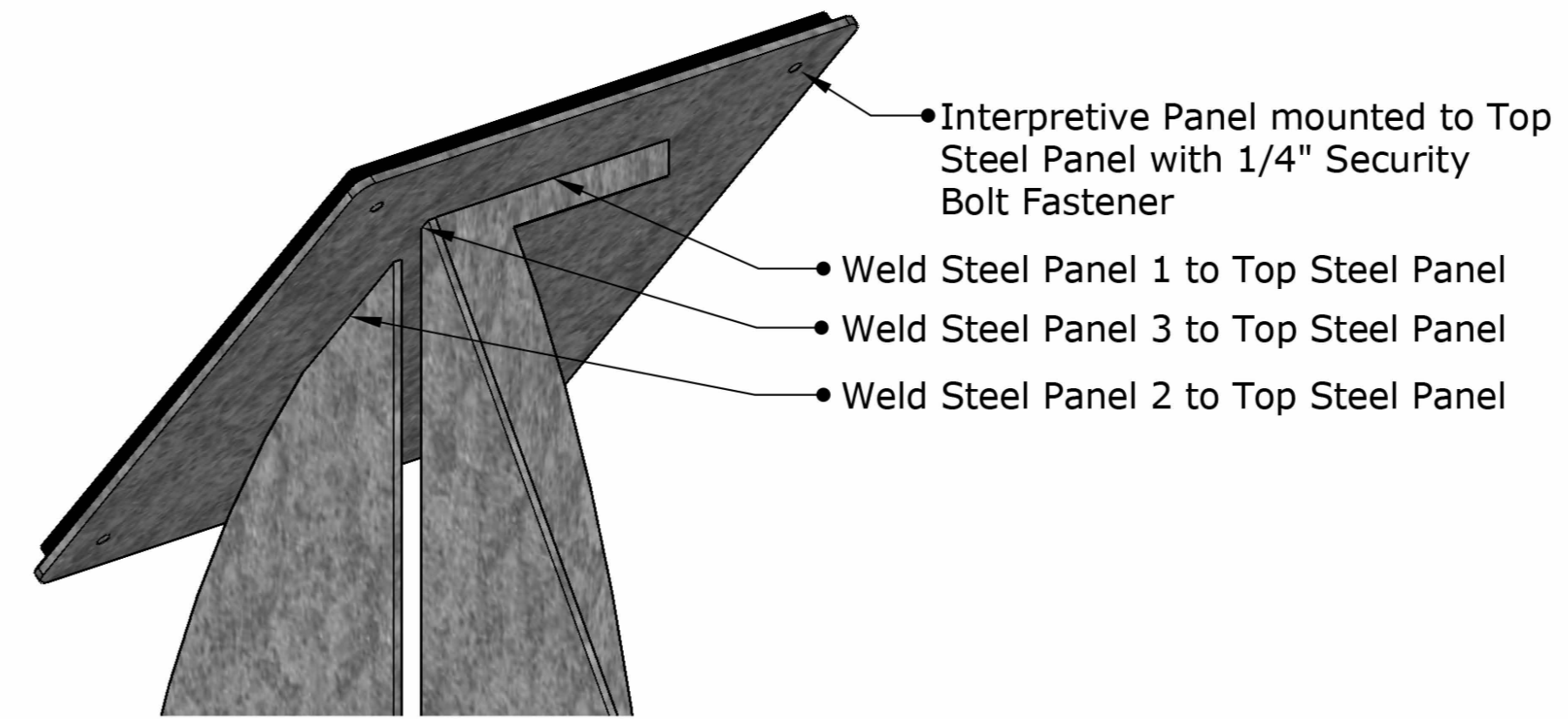


4 SIGN FOOTER DETAIL - MOUNTED TO EXISTING SHALLOW FLATWORK (LESS THAN 5")  
1" = 1'-0"

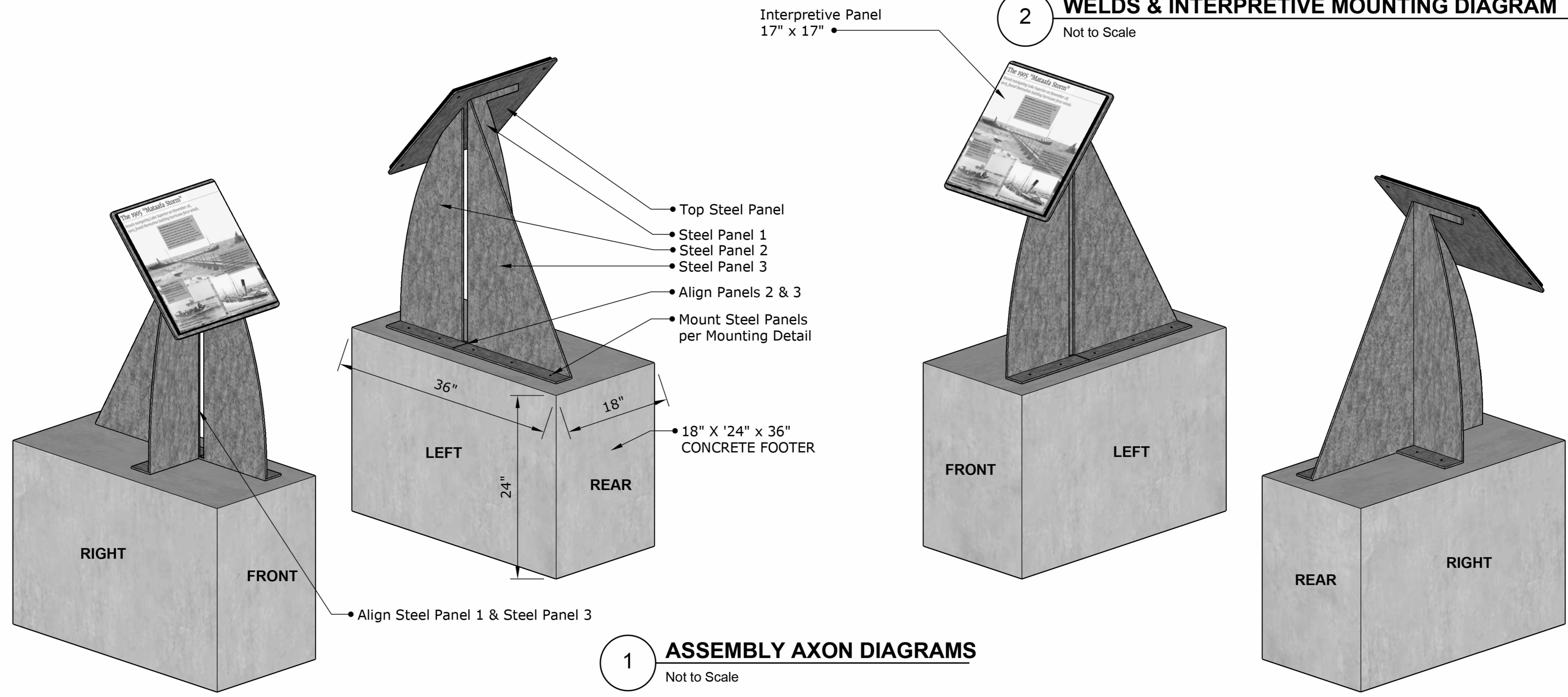


4 SIGN FOOTER DETAIL - MOUNTED TO EXISTING SHALLOW FLATWORK (LESS THAN 5")  
1" = 1'-0"

# ASSEMBLY DIAGRAMS



**2 WELDS & INTERPRETIVE MOUNTING DIAGRAM**  
Not to Scale



**1 ASSEMBLY AXON DIAGRAMS**  
Not to Scale

REVISIONS


CONSTRUCTION DOCUMENT

DATE: 02/07/2025  
DRAWN: JAW  
CHECKED: SLG  
APPROVED: SLG