

FEATURES & SPECIFICATIONS

INTENDED USE — An attractive and energy-efficient surface-mounted or suspended linear fluorescent luminaire, suitable for wet, damp locations. Ideal for challenging situations where relatively low fixture mounting heights and wide fixture spacings are common — such as parking garages, industrial facilities, retail malls, multi-purpose centers and airports. **Certain airborne contaminants can diminish integrity of plastics.** [Click here for Acrylic/Polycarbonate Environmental Compatibility table, for suitable uses.](#)

CONSTRUCTION — Shallow one-piece SVA fiberglass housing with integral perimeter channel utilizing continuous poured-in-place closed cell gasket. UL approved as a wireway and through wiring. Tool-less ballast and wiring access. Power connection is easily accommodated through pre-drilled holes at each end. Wet location plugs provided for maximum flexibility. Captive Steel latches are standard. Polycarbonate latches are optional.

OPTICS — Blow-molded UV stabilized polycarbonate diffuser with lineal ribs is standard for 4' fixtures. Injection-molded impact-resistant acrylic lens with lineal ribs is standard for 8' fixtures. Optically clear deep acrylic lens (3.5" deep available for 4' and 8') also available. Additional lens options available. Deep lens is standard with lens tether for ease of maintenance. White ballast cover has polyester powder coat finish.

Factory-installed lamps are available in various temperature colors and rated life. Lamps are secured with rotary locking lamp holders for ease of relamping and to provide a more secure lamp seating. Wall mounting; horizontal orientation only for use in damp locations.

ELECTRICAL — All standard ballasts are electronic, energy saving, thermally protected, Class-P, HPF, non-PCB, Sound Rated A, UL/CSA certified where applicable. Lamp and ballast configurations shown in "Configurations" chart.

INSTALLATION — May be ceiling mounted or suspended by chain, cable or threaded rod. Stainless steel mounting brackets included (two per luminaire), pre-punched for easy field-attachment of bolts, screws and other mounting hardware. Covered ceiling not required to maintain wet location listing or IP rating. Not recommended for use in above 40°C when suspended; 35°C when surface mounted. When dimming ballast is used ambient temperature is 25°C.

| |
|----------------|
| Catalog Number |
| Notes |
| Type |

Low-Profile Enclosed and Gasketed Industrial



EMS

T5, T5HO or T8 Lamps



LISTINGS — UL Listed for wet locations. NSF splash zone certified. Meets FDA/USDA Guidelines for shielding around exposed food. IP65, IP66 and IP67 rated.

WARRANTY — 1-year limited warranty. Complete warranty terms located at www.acuitybrands.com/CustomerResources/Terms_and_conditions.aspx

Actual performance may differ as a result of end-user environment and application.

Note: Specifications subject to change without notice.

ORDERING INFORMATION

Lead times will vary depending on options selected. Consult with your sales representative. **Example:** EMS4 2 54T5HO T1X20 BMPCL MVOLT GEB10PS90 LP841

| Series | Number of lamps ¹ | Lamp type ¹ | Distribution/Reflector ² | Shielding | Voltage |
|--|--|---|---|---|--|
| EMS4 7" x 4' | 1 | 17 17W T8 (24") | (blank) Flat ballast cover | BMPCL Polycarbonate, lineal ribbed lens | 120 120V |
| EMS8 7" x 8' | 2 3 ² | 14T5 14W T5 (22") 24T5HO 24W T5HO (22") 32 32W T8 (48") 28T5 28W T5 (46") ³ 54T5HO 54W T5HO (46") ⁴ | X32 Specular aluminum ballast cover with spread distribution T1X20 Specular aluminum reflector, Task beam, (0.9 ≤ SC < 1.2) S2X20 Specular aluminum reflector enhanced spread beam, (1.4 ≤ SC < 1.8) ⁶ | BMPFL Frosted, Polycarbonate, lineal ribbed lens (Not available in 8') IMACL Acrylic, lineal ribbed lens(not available in 2') IMAFL Frosted lineal ribbed lens(not available in 2') IMACD Acrylic, clear deep lens (not available in 2') IMAFD Acrylic, frosted, deep lens (not available in 2') ⁷ | 208 208V 240 240V 277 277V 347 347V 480 480V MVOLT 120-277V HVOLT 347-480V |
| Ballast configuration | Ballast | Options | Lamp color ¹⁴ | | |
| (blank) All 1-lamp or 2-lamp ballasts ⁹ | GEB10ISH T8 electronic ballast, ≤10% THD, instant start, 1.15-1.2 BF | EL14DW Wet location battery pack (1400 nominal lumens) ^{10,11} EL6DW Wet location battery pack (600 nominal lumens) ^{10,11} GLR Internal fast-blow fuse ¹¹ PLCL Polycarbonate latches TRS Tamper-resistant Torx® T10 screws MSI_ Wet location sensor ^{11,12,13} CS89 6' white cord, 16/3, no plug, wet location CS89L12 12' white cord 16/3 no plug, wet location CS88 6' yellow cord 16/3, Brad Harrison 3P special configuration straight plug, wet location CS88L12 12' yellow cord 16/3, Brad Harrison 3P special configuration straight plug, wet location WFL Wet location fitting (one pair installed top, 44" off center) DPMB Dual pendant monopoint bracket for use with 3/8" threaded rod | (blank) No lamps LP830 85 CRI, 3000°K, standard life LP835 85 CRI, 3500°K, standard life LP841 85 CRI, 4100°K, standard life LP850 85 CRI, 5000°K, standard life 49 watt lamps¹⁵ P835E49 85 CRI, 3500°K P841E49 85 CRI, 4100°K P850E49 85 CRI, 5000°K | | |
| 1/3 One 3-lamp ballast | GEB10IS T8 electronic ballast, ≤10% THD, instant start, .88 BF | | | | |
| 1/4 One 4-lamp ballast | GEB10PS T5 electronic ballast, ≤10% THD, programmed rapid start | | | | |
| 1/41/2 One 4-lamp, one 2-lamp ballast (EMS8 only) | GEB10PS90 T5HO 90° electronic ballast, ≤10% THD, program start, 1.0 BF (54T5HO only) | | | | |
| 2/3 Two 3-lamp ballast (EMS8 3 lamp only) | ADZT Advance Mark VII dimming ballast ⁹ | | | | |
| 2/1 Two 1-lamp ballast | ADEZ Advance Mark X dimming ballast ⁹ ACRP Advance Cool Running Plus ¹⁰ | | | | |

| Accessories: Order as separate catalog number. | |
|--|---|
| HC36 | Hook and 36" chain (ships as pair) |
| MHHK120 | 10' single leg air craft cable |
| MHHK120SS | 10' single leg aircraft cable, stainless steel |
| WLF | Wet location fitting, one pair not installed |
| FEMDPMB | Dual pendant monopoint bracket (ships as a pair) for use with 3/8" threaded rod |
| RK1 T10DRV U | Torx T10 screwdriver for use with tamper resistant screws |

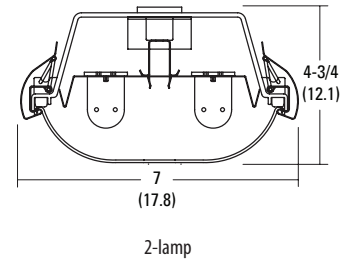
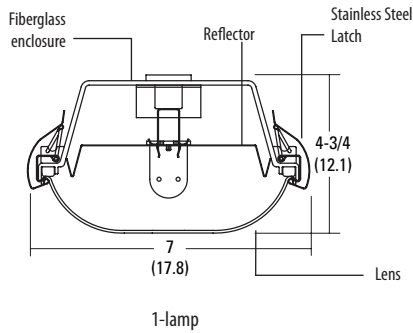
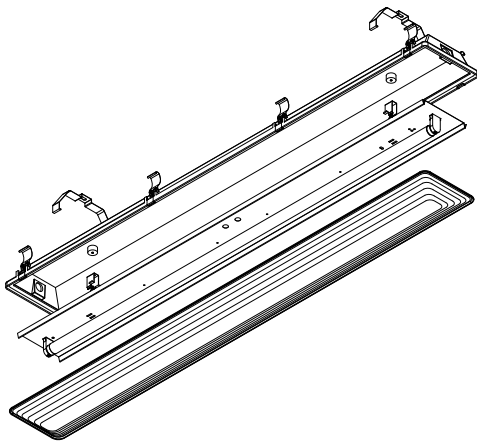
Notes

- See Configurations table above for lamp compatibility.
- T8 lamps only.
- Must specify GEB10PS.
- Must specify GEB10PS90.
- See Distribution/Reflector configurations table for available combinations.
- Available with IMACD and IMAFD only.
- Frosted lenses may alter photometric performance.
- Not all ballasts are available in all configurations.
- Fixture ambient temperature 25°C when dimming ballasts are used.
- Available in 4' and 8' fixtures.
- Must specify voltage.
- Must specify GEB10PS, GEB10PS90, or ACRP. Not available with instant start ballasts.
- For mounting up to 8' specify MS18, for mounting up to 20', specify MS120; for mounting up to 40', specify MS140.
- Other lamp types available. Consult factory.
- 54T5HO only.

EMS Low-Profile Enclosed and Gasketed Specular

DIMENSIONS

All dimensions are shown in inches (centimeters) unless otherwise noted.
Specifications subject to change without notice.



PHOTOMETRICS

See www.holophane.com.

| CONFIGURATIONS | | | | | |
|--|------------|------------------|----------|--------------|-----------------|
| All dimensions are shown in inches (centimeters) unless otherwise noted. | | | | | |
| SERIES | # OF LAMPS | LAMP TYPE | WIDTH | DEPTH | LENGTH |
| EMS4 | 1, 2 | 28T5, 32, 54T5HO | 7 (17.8) | 4-3/4 (12.1) | 52 (132.1) |
| EMS4 | 3 | 32 | 7 (17.8) | 4-3/4 (12.1) | 52 (132.1) |
| EMS4 (w/IMACD or IMAFD lens) | 1, 2 | 28T5, 32, 54T5HO | 7 (17.8) | 6-1/8 (15.5) | 52 (132.1) |
| EMS4 (w/IMACD or IMAFD lens) | 3 | 32 | 7 (17.8) | 4-3/4 (12.1) | 52 (132.1) |
| EMS8 | 1, 2 | 28T5, 32, 54T5HO | 7 (17.8) | 4-3/4 (12.1) | 100-1/4 (254.6) |
| EMS8 | 3 | 32 | 7 (17.8) | 4-3/4 (12.1) | 100-1/4 (254.6) |
| EMS8 (w/IMACD or IMAFD lens) | 1, 2 | 28T5, 32, 54T5HO | 7 (17.8) | 6-1/8 (15.5) | 100-1/4 (254.6) |
| EMS8 (w/IMACD or IMAFD lens) | 3 | 32 | 7 (17.8) | 6-1/8 (15.5) | 100-1/4 (254.6) |

| DISTRIBUTION/REFLECTOR CONFIGURATIONS | | | | | | | |
|---------------------------------------|--------------|-----------|-------|-------|-------|-------|-------|
| SERIES | DISTRIBUTION | REFLECTOR | BMPCL | BMPFL | IMACL | IMAFI | IMAFD |
| EMS4 | | | YES | YES | YES | YES | YES |
| EMS4 | | X32 | YES | NO | YES | NO | NO |
| EMS4 | T1 | X20 | YES | NO | YES | NO | YES |
| EMS4 | S2 | X20 | NO | NO | NO | NO | YES |
| EMS8 | | | NO | NO | YES | YES | YES |
| EMS8 | | X32 | NO | NO | YES | NO | YES |
| EMS8 | T1 | X20 | NO | NO | YES | NO | YES |
| EMS8 | S2 | X20 | NO | NO | NO | NO | YES |

Note: Adding a cord set or wet location fitting to the end of the fixture will add 1" to the overall length.