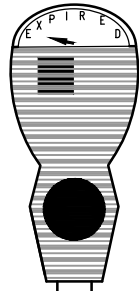


TRANSPORTATION DETAILS

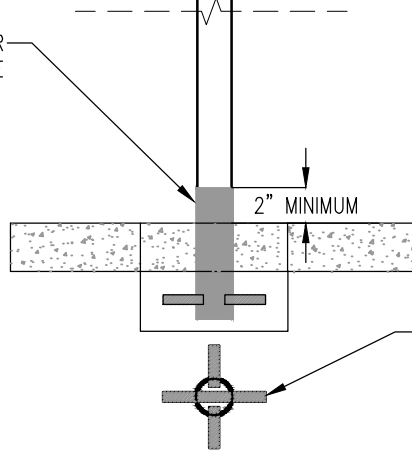
- T-1 TYPICAL PARKING METER INSTALLATION
- T-2 SIGN AND BREAKAWAY MOUNT INSTALLATION
- T-3 STREET NAME SIGN FOOTING DETAIL
- T-4 E-250 INSTALLATION
- T-5 E-450 INSTALLATION
- T-6 E-650 INSTALLATION



TYPICAL INSTALLATION BASE COLLAR IN CONCRETE WALK

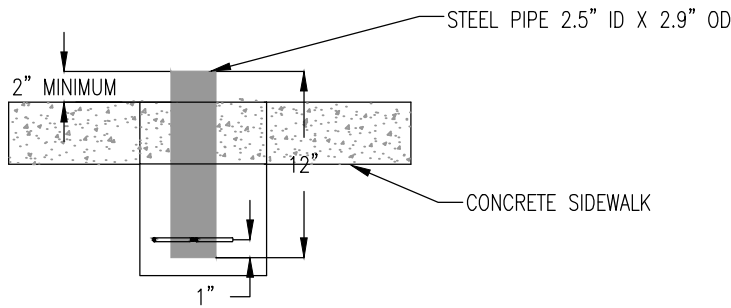
REMOVE CONCRETE WALK, CORE, OR SAW OPENING FOR METER BASE COLLAR, AS DIRECTED BY ENGINEER

BASE COLLAR
STEEL PIPE



2" MINIMUM

REBAR SUPPORT FOR PIPE

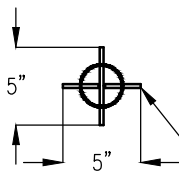


STEEL PIPE 2.5" ID X 2.9" OD

2" MINIMUM

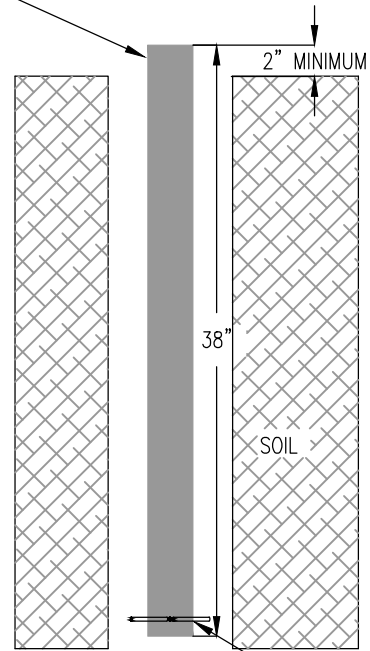
CONCRETE SIDEWALK

1"



TYPICAL TOP VIEW

$\frac{5}{16}$ " REBAR OR EQUIVALENT
FOR BOTTOM TEE



38"

SOIL

REBAR SUPPORT FOR PIPE

TYPICAL PARKING METER BASE COLLAR IN
CONCRETE SIDEWALK

TYPICAL PARKING METER BASE COLLAR
INSTALLATION IN SOIL

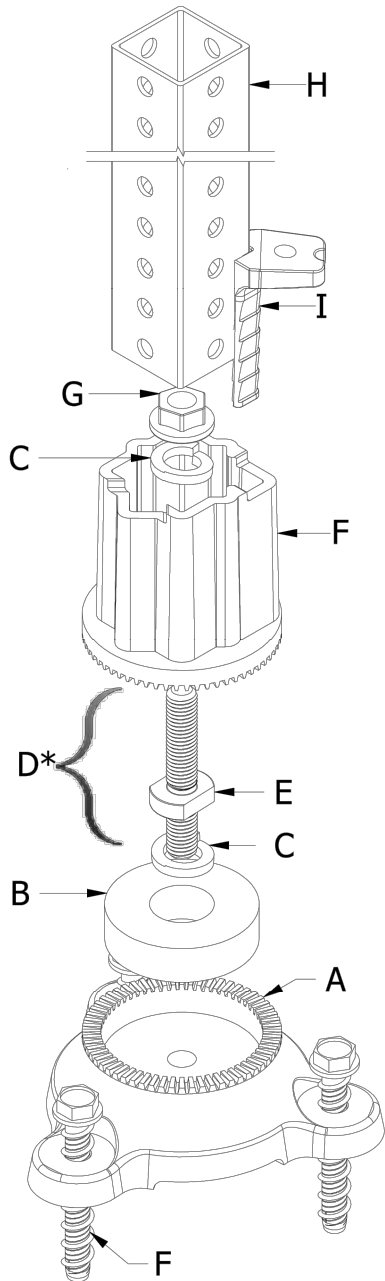
TYPICAL PARKING METER INSTALLATION

T-1

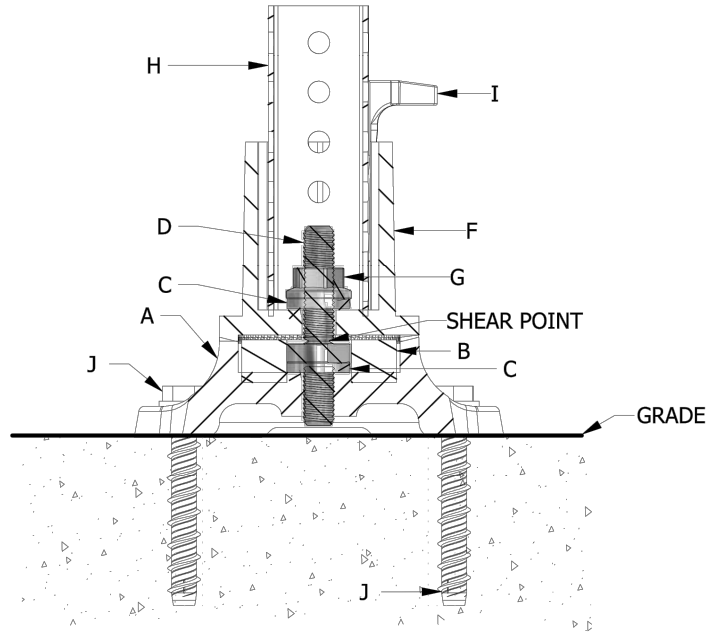
REVISED/APPROVED 02/01/2013

CITY OF DULUTH STANDARD DETAIL
DEPT. OF PUBLIC WORKS AND UTILITIES

NO SCALE



ISOMETRIC VIEW



INSTALLED CROSS SECTION VIEW

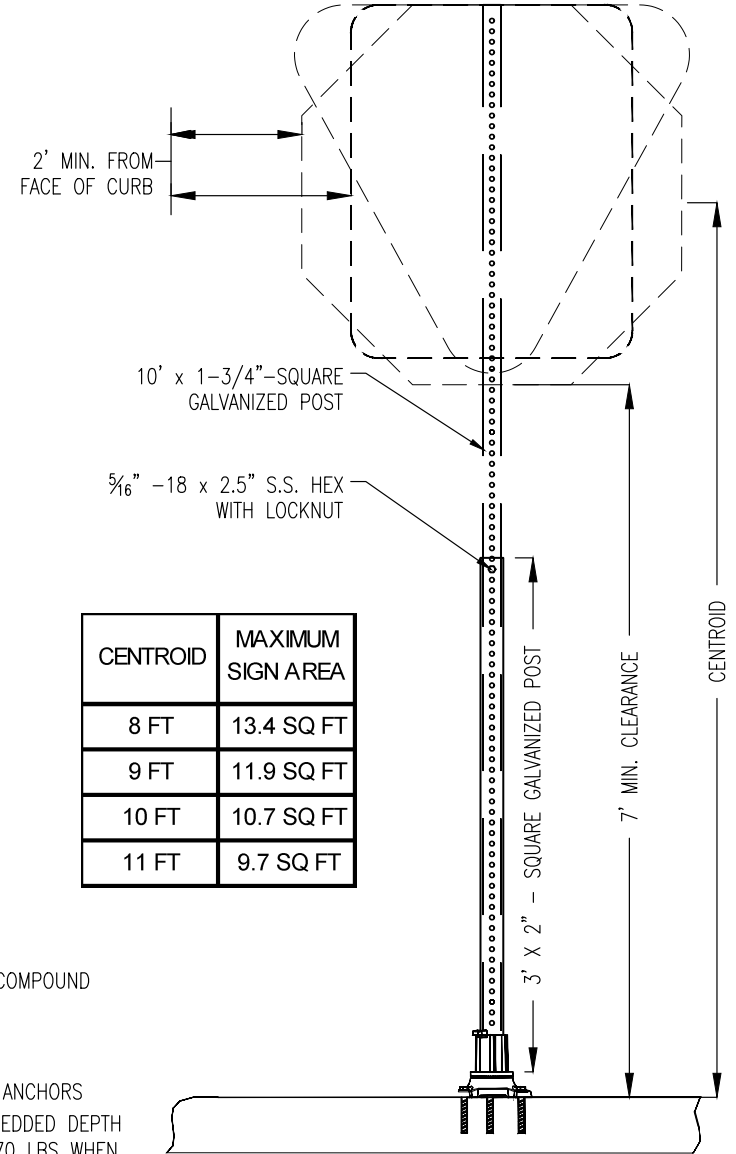
PARTS LIST

- A. SURFACE MOUNT ANCHOR BASE
- B. RUBBER BUSHING
- C. LOCK WASHER
- D. 5/8" - 11 X 4" SHEAR BOLT
- E. SHOULDER
- F. TOP HALF COUPLER
- G. 5/8" - 11 SERRATED FLANGE NUT
- H. SIGN SUPPORT 2" X 2" (12 GAUGE)
- I. SIGN SUPPORT LOCKING WEDGE
- J. 1/2" X 4" CONCRETE ANCHOR BOLT. (SEE NOTE BELOW)

* PRIOR TO THREADING THE SHEAR BOLT INTO ANCHOR BASE AN ANTI-SIEZE COMPOUND SHALL BE GENEROUSLY APPLIED TO THE SHEAR BOLT AND BASE THREADS.

NOTE

SURFACE MOUNTED UNIT SHALL BE ATTACHED WITH NO LESS THAN (3) CONCRETE ANCHORS WITH A MINIMUM DIAMETER OF 1/2" AND A MINIMUM LENGTH OF 4" LONG. THE EMBEDDED DEPTH SHALL BE A MINIMUM OF 3-5/8". THE ALLOWABLE TENSION LOAD SHALL BE 2,270 LBS WHEN INSTALLED IN NORMAL WEIGHT, 3000 PSI CONCRETE.

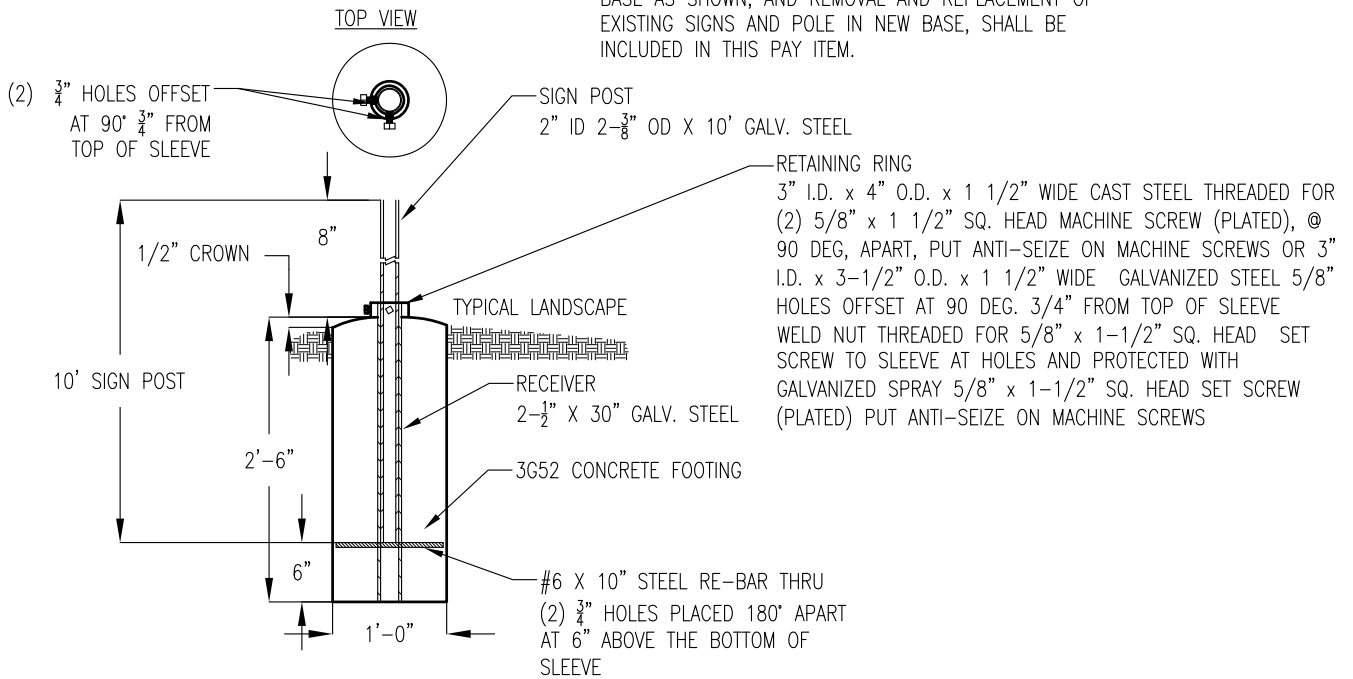


CENTROID	MAXIMUM SIGN AREA
8 FT	13.4 SQ FT
9 FT	11.9 SQ FT
10 FT	10.7 SQ FT
11 FT	9.7 SQ FT

SIGN & BREAKAWAY MOUNT INSTALLATION

T-2

ALL MATERIALS AND LABOR USED TO CONSTRUCT SIGN BASE AS SHOWN, AND REMOVAL AND REPLACEMENT OF EXISTING SIGNS AND POLE IN NEW BASE, SHALL BE INCLUDED IN THIS PAY ITEM.



SPEC. 2564.602, REMOVE AND REINSTALL SIGN, EACH

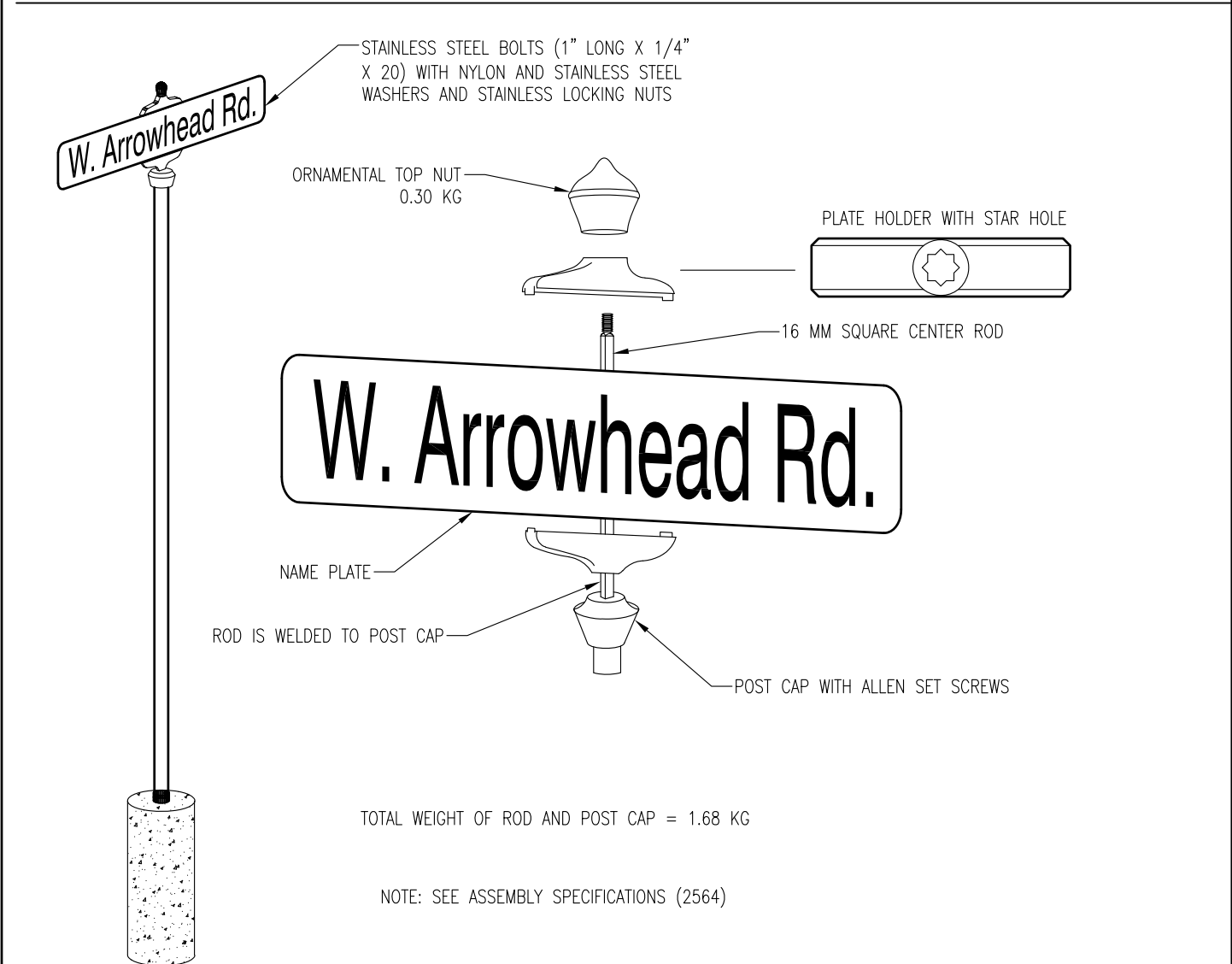
STREET NAME SIGN FOOTING DETAIL

T-3

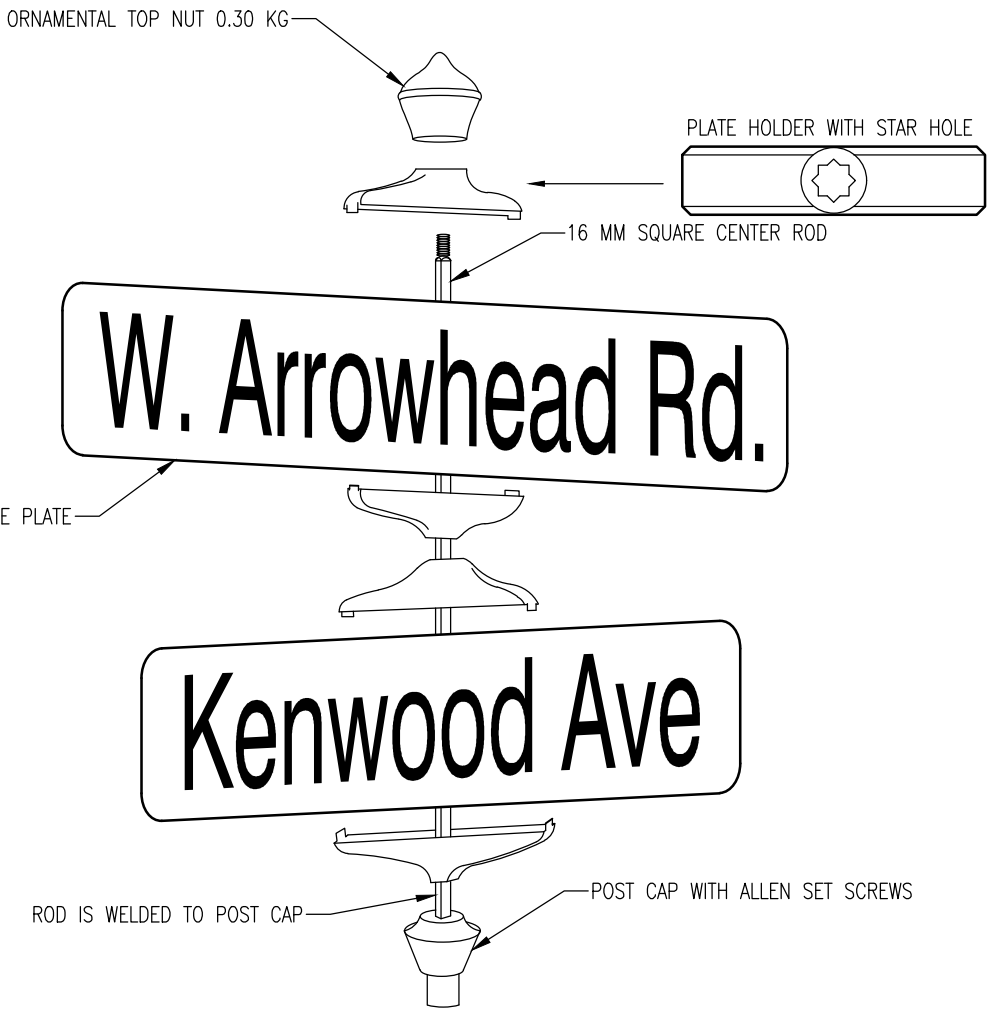
REVISED/APPROVED 01/20/2017

CITY OF DULUTH STANDARD DETAIL
DEPT. OF PUBLIC WORKS AND UTILITIES

NO SCALE

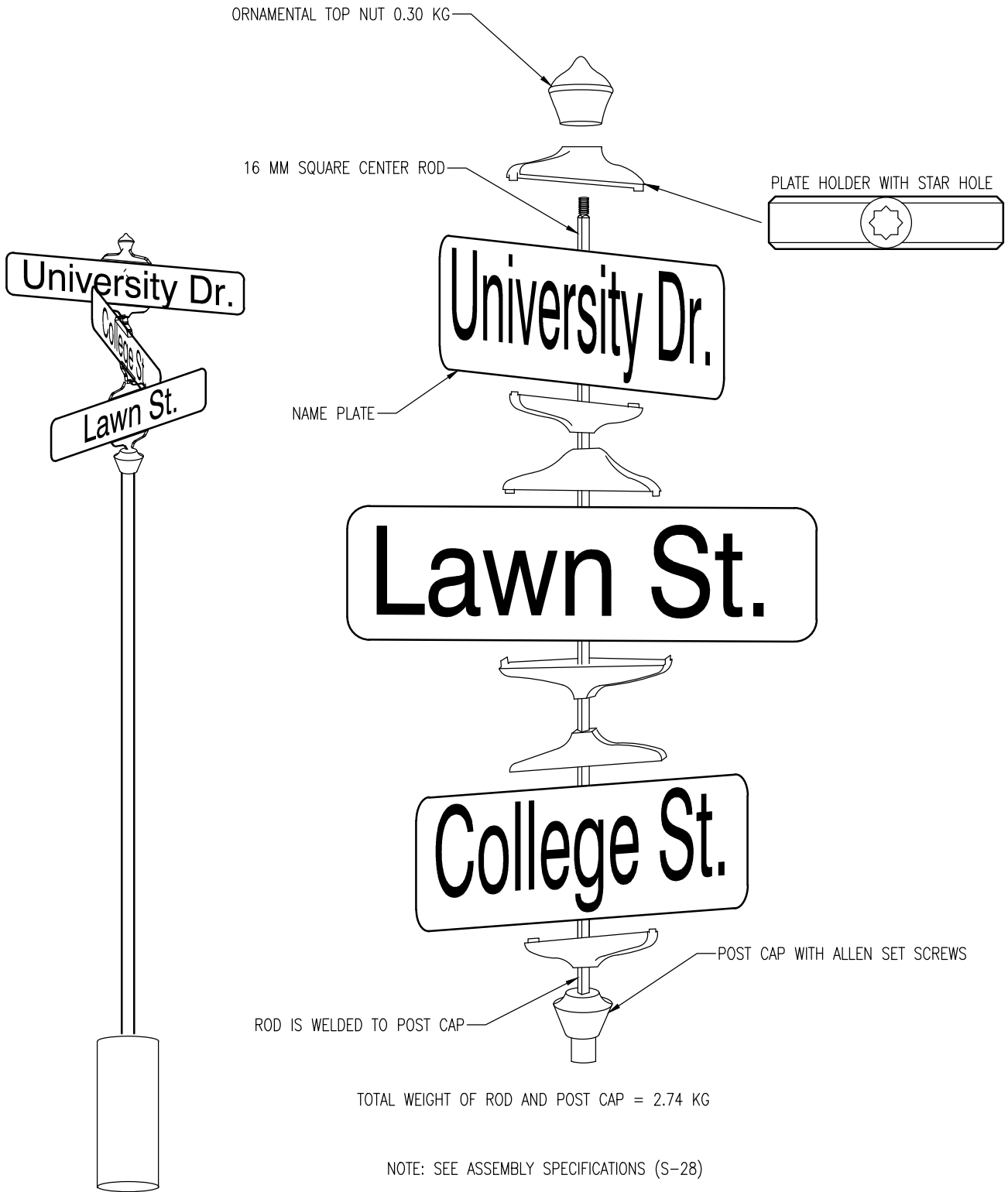


E-250 INSTALLATION		T-4
REVISED/APPROVED 04/01/216	CITY OF DULUTH STANDARD DETAIL DEPT. OF PUBLIC WORKS AND UTILITIES	NO SCALE



TOTAL WEIGHT OF ROD AND POST CAP = 2.15 kg
 NOTE: SEE ASSEMBLY SPECIFICATIONS (S-28)

E-450 INSTALLATION		T-5
REVISED/APPROVED 02/01/2013	CITY OF DULUTH STANDARD DETAIL DEPT. OF PUBLIC WORKS AND UTILITIES	NO SCALE



E-650 INSTALLATION

T-6

REVISED/APPROVED 02/01/2013

CITY OF DULUTH STANDARD DETAIL
DEPT. OF PUBLIC WORKS AND UTILITIES

NO SCALE